

EVO

BeCode



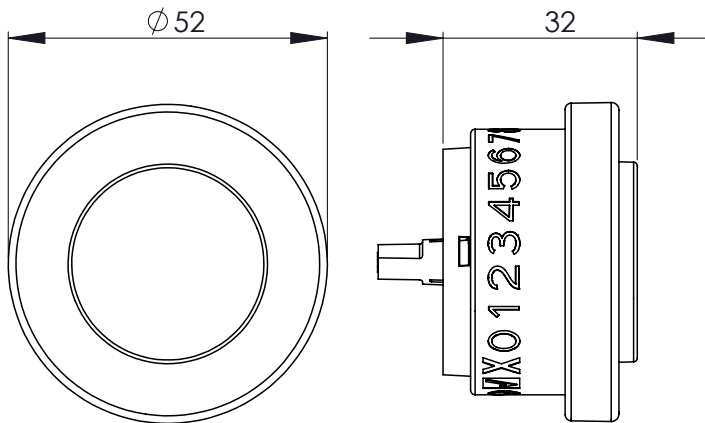
BeCode EVO D8

(incl. 1 adapter as per choice)

Base black: RAL 790-M

Ring silver: RAL 110-M

Article-No. 7-1-0300



Suitable for door thicknesses from 18 to 22 mm
(can be upgraded with Adapter Extender - on request)

Advantages at a glance:

- compatible with almost all common lock systems
- quick and easy operation / time savings
- no key or transponder required
- more than 1 million UserCode variations
- more than 10 billion UserCode variations
- wireless installation
- abort function for incorrect code entry
- no external programming devices needed
- can be used right / left hand



Adapters



Häfele
Article-No. 7-1-2008



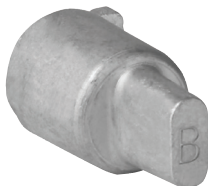
Lehmann/Hettich
Article-No. 7-1-2009



Huwil
Article-No. 7-1-2010



Meroni
Article-No. 7-1-2011



Burg/Würth „Style 21“
Article-No. 7-1-2012



Hekna/Würth „MS1000“
Article-No. 7-1-2013



Ojmar
Article-No. 7-1-2014



Adapter Extender
Article-No. 7-1-2015

Adapter for other lock systems on request