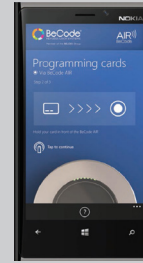




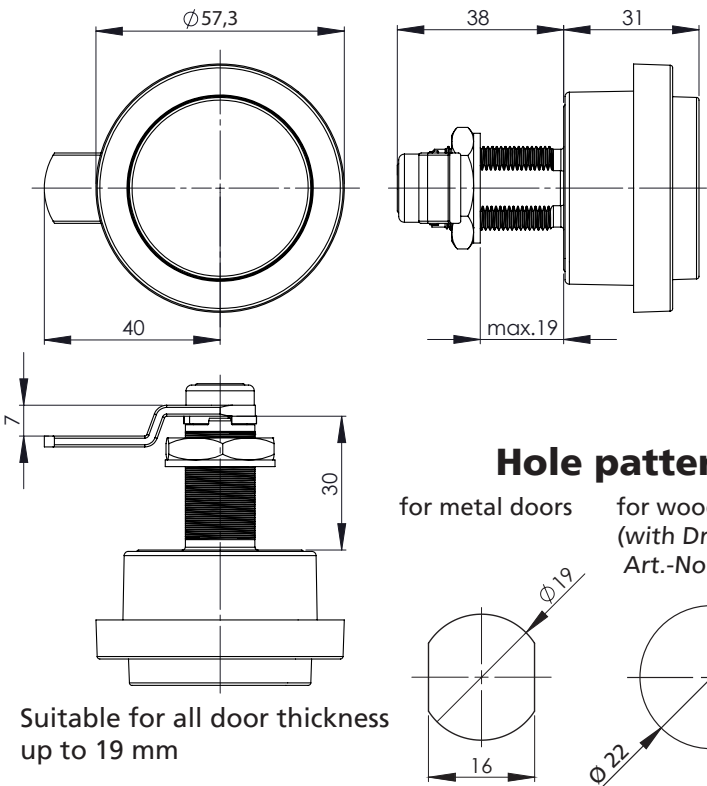
AIR+))) NFC BeCode



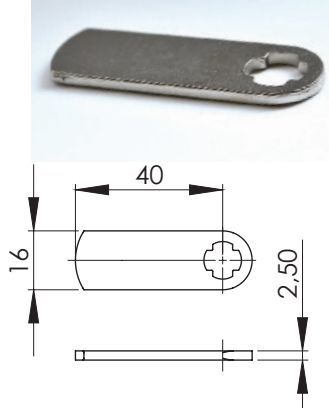
7-1-0420 BeCode AIR+ Fixed mode
 7-1-0450 BeCode AIR+ Free mode
 7-1-0451 BeCode AIR+ Free mode advanced
 7-1-0455 BeCode AIR+ Multi
 ISO 14443A; ISO 15693; Legic-RF; HID Iclass
 (Compatible with all common RFID-standards like: Mifare, Tag-it, Legic, HID)

Advantages at a glance:

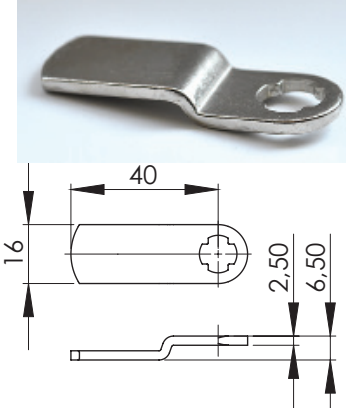
- supports NFC
- supports almost all RFID solutions in the area of 13,56 MHz
- up to 510 users per BeCode AIR+
- mode for variable or permanent users
- administration per App available
- audit trail accessible
- timer function for automated opening
- software updates possible
- with integrated cam lock
- installation possible for metal and for wooden doors
- wireless installation
- can be used right / left hand
- quick and easy operation/ time savings
- optimum operating temperature between 14° C and 24° C



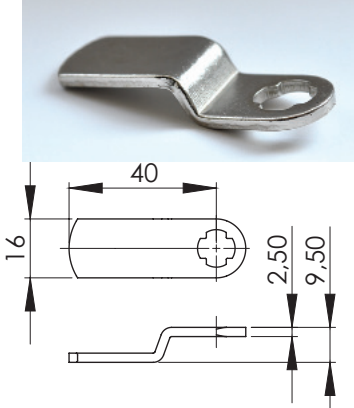
Cams



Cam, straight 40 mm
Article-No. 7-1-1400



Cam, cranked 4 mm 40 mm
Article-No. 7-1-1404



Cam, cranked 7 mm 40 mm
Article-No. 7-1-1407

(Installation only with these listed cams or cams approved by Beloxx!)