



AIR))) NFC
BeCode

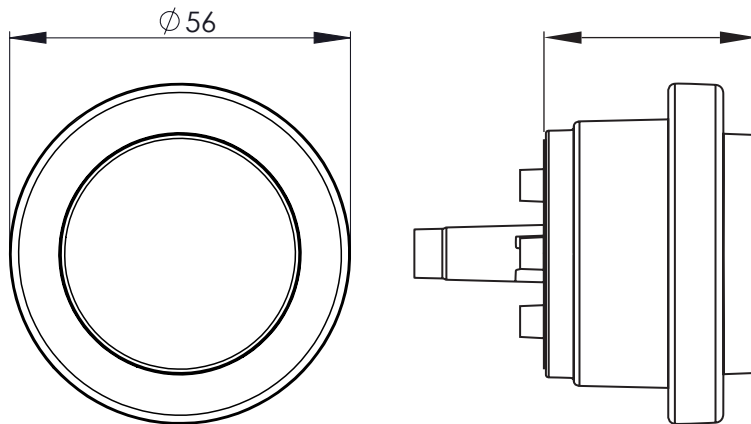


BeCode AIR

(incl. 1 adapter as per choice)
Base black, Ring silver

- 7-1-0520-001 fixed Häfele adapter
 - 002 fixed Lehmann adapter hinged on the right
 - 003 fixed Lehmann adapter hinged on the left
- 7-1-0550-001 free Häfele adapter
 - 002 free Lehmann adapter hinged on the right
 - 003 free Lehmann adapter hinged on the left
- 7-1-0551-001 free advanced Häfele
 - 002 free advanced Lehmann right
 - 003 free advanced Lehmann left

Adapter for other lock systems on request.



Suitable for door thicknesses from 18 to 22 mm

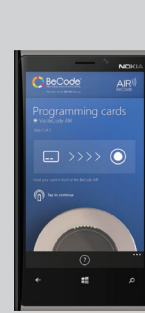
Accessories



Mounting sleeve
Article-No. 7-1-4008



Screws
Article-No. 7-3-0965-320



Advantages at a glance:

- compatible with almost all common lock systems
- supplied with already assembled adapter
- supports NFC
- supports almost all RFID solutions in the area of 13,56 MHz
- up to 510 users per BeCode AIR
- mode for variable or permanent users
- administration per App available
- audit trail accessible
- timer function for automated opening
- software updates possible
- with integrated cam lock
- wireless installation
- can be used right / left hand
- quick and easy operation / time savings
- optimum operating temperature between 14° C and 24° C